

item number	A	B	C	max. number of inserted cables			weight	
				Ø6	Ø8	Ø10		
	mm	mm	mm	pcs	pcs	pcs	kg/pc	
SD 2_PO	49	32	79	50	38	25	0,54	🔥
SD 4_PO	33,5	32	57	25	19	12	0,33	🔥

product description: The group holder is suitable for fastening cable or cable bundles to the wall or ceiling.

The holder is fixed to the base material with a concrete screw or other suitable anchoring elements.

The holder allows the installation of cables with different diameters.

The construction of the group holders enables easy addition of more cables to the route.

The maximum load capacity of the holder is 6 kg/m. It is recommended to install the holders with a spacing of 300-600 mm, depending also on the rigidity of the cables.

Distance between holders (mm)	300	400	500	600
Max. recommended load of the holder (kg)	6	4,5	3,6	3

surface finish: PO - Pre-Galvanized according to EN 10346, EN 10143, zinc-layer 15-27 µm

sales amount: á 1 pc

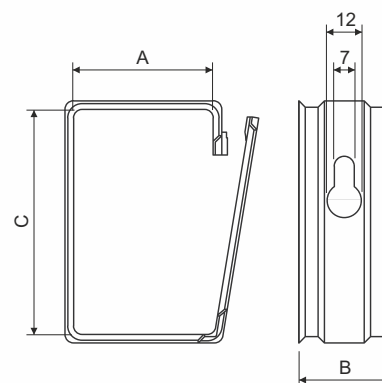
classification 🔥: ČSN 73 0895 P 90-R
 DIN 4102-12 E 90
 STN 92 0205 PS 90

Fire classification is depend on the specific conditions of the cable tray, detailed in the catalog Systems with maintained functionality in fire.

Classification is identical to SD 2_S group holders

🔥 products approved for non-standard constructions

storage: EN 60721-3-1



 **WARNING****Risk of injury from cutting**

Although the cable trays are produced with maximum effort to minimize sharper edges, it is necessary to wear protective gloves to carry, grip and work with cable elements.

Risk of system collapse

It is essential to strictly adhere to the maximum load limits for individual cable support systems and ensure proper installation according to the installation manual. The load capacity charts for each system are provided in the manufacturer's catalog, available in printed form or on the manufacturer's website. The specified load limits do not account for any additional loads, such as snow, wind, or seismic forces.

Electricity injury

As individual components of cable management systems are made of electrical conductive material, it is essential not to work with a system near live electrical parts. Infringement of the safety regulations may cause serious injury of health or death.

Safe Use

Under normal and foreseeable conditions of use, there are no risks to consumers, provided that proper installation and usage are carried out in accordance with the installation manual.

recycling codes:



group holder



cardboard